

IMPINJ[®]

MatchBox Antenna

ELECTRICAL & MECHANICAL SPECIFICATIONS

TABLE OF CONTENTS

1 Overview	1
1.1 Features & Benefits	1
2 Specifications	1
2.1 Read Zone Characteristics	1
2.2 Electrical Specifications	2
2.3 Environmental Specifications.....	2
2.3.1 Magnetic Field Intensity Plots	3
2.4 Mechanical Specifications.....	5
2.5 Mechanical Enclosure.....	6
3 Ordering Info	6
4 Notices	7

1 OVERVIEW

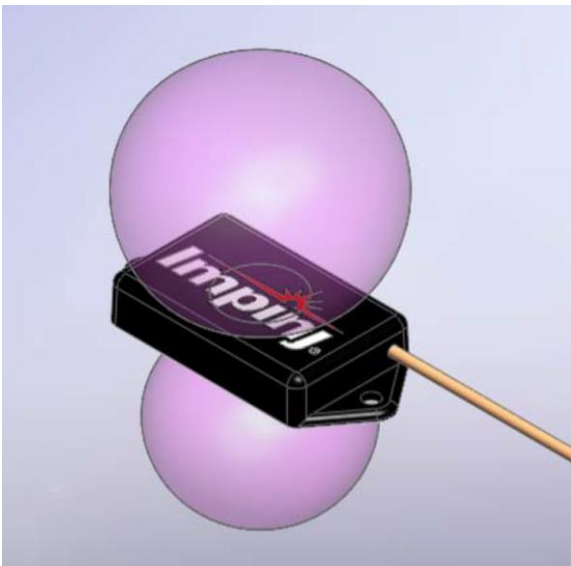
Impinj's MatchBox reader antenna is the ideal antenna for item level applications that require reading tags at distances up to 5 cm. Typical applications include access control, ticketing, document control, high-speed encoding stations, packaging lines, and any situation that requires high reliability in a constrained read zone. The MatchBox antenna, by virtue of its optimized near-field performance, is virtually immune to the effects of liquids, powders, packaging, etc. The MatchBox antenna works for applications where standard antennas may fail, such as membership cards, blister packs, pill bottles, liquid-filled containers, and even tags floating in water.

1.1 Features & Benefits

- Ideal for short-range singulation of individual UHF tags (Strong near-field performance enables reading item tags 0–5 cm away)
- Near-field design penetrates liquids and most metals
- Perfect for use with very small tag inlays featuring near field antennas
- Small size: 73 mm x 33 mm x 12 mm
- Confined read zone to minimize stray reads

2 SPECIFICATIONS

2.1 Read Zone Characteristics



The MatchBox antenna emits RF energy from both the top and bottom surfaces. Tags are essentially unreadable beyond 5 cm from the antenna surface

2.2 Electrical Specifications

PARAMETER	TYPICAL	UNITS	CONDITIONS/NOTES
Frequency Range	865 to 956	MHz	Broadband for use in all regions
Near Field Intensity	-4.2	dBA/m	Center of antenna 1 cm from radome, 30 dBm input power
Far-field Gain	-20	dBi	
Polarization	Linear		Parallel to short axis
VSWR	1.25:1		Center of frequency range
Input Impedance	50	Ω	
Input Power	30	dBm	33 dBm absolute max
ESD	2	KV	Human Body Model

2.3 Environmental Specifications

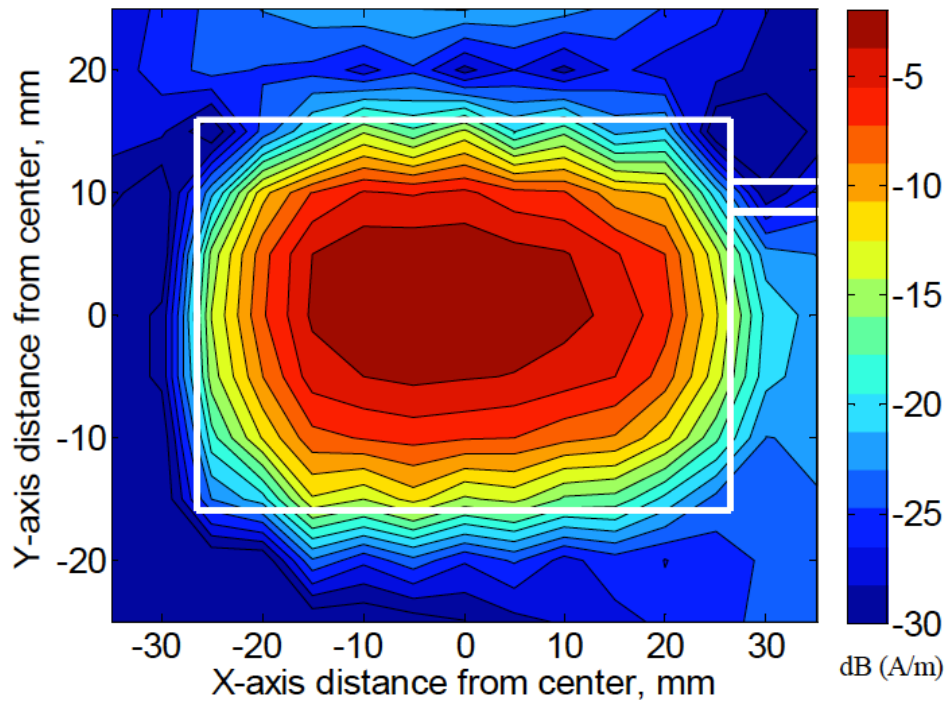
PARAMETER	TYPICAL	UNITS	CONDITIONS/NOTES
IP Rating	IP54		Indoor use only
Temperature	0-40	$^{\circ}\text{C}$	Indoor and Outdoor
Humidity	5-95	%	Relative, non-condensing Performance will be severely degraded if antenna is subjected to any standing water

2.3.1 Magnetic Field Intensity Plots

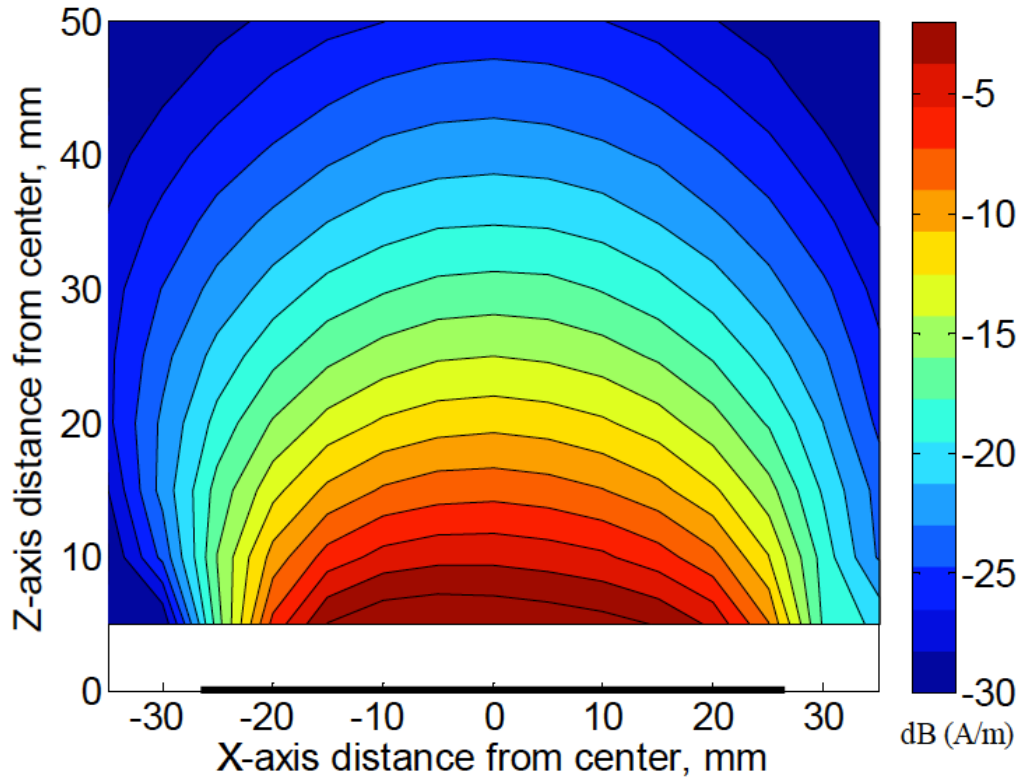
(dB (Amperes/meter) with +30 dBm input power)

Magnetic Field Intensity (H) at 915 MHz (top view)

At z=5 mm from Radome

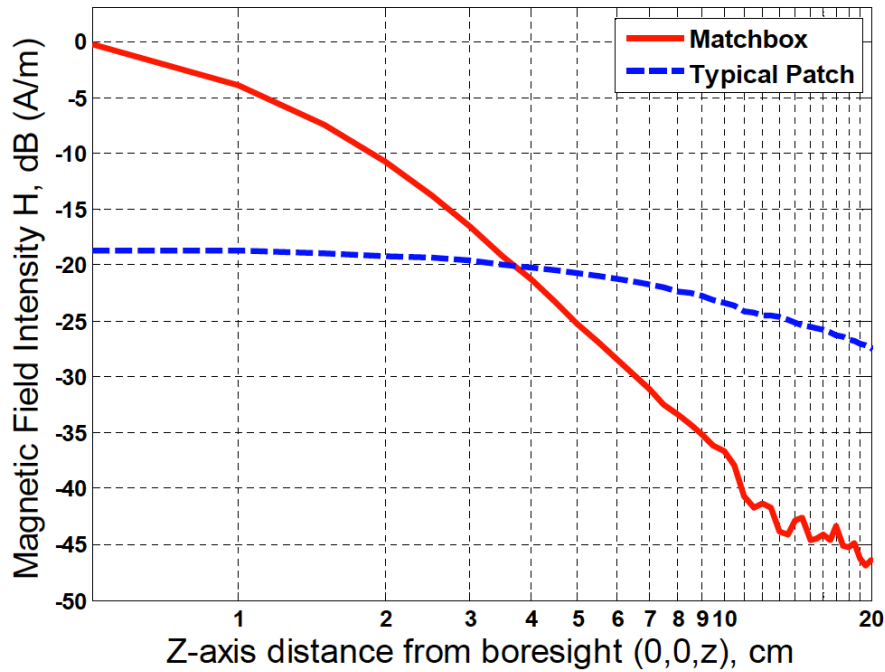


Magnetic Field Intensity (H) at 915 MHz (side view)



Magnetic Field Intensity versus Typical Patch Antenna

(dB (Amperes/meter) with +30 dBm input power)

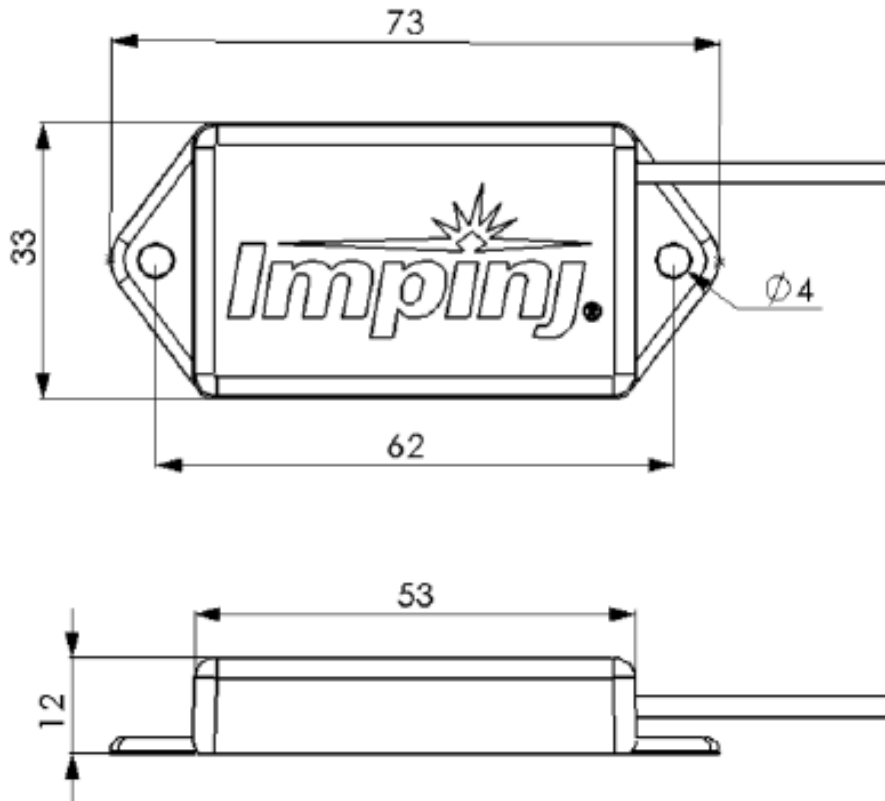


2.4 Mechanical Specifications

PARAMETER	TYPICAL	UNITS	CONDITIONS/NOTES
Weight	18	grams	
Connector	SMA female		Requires accessory cable to connect to reader's RP-TNC connector
Cable length	20	cm	
Enclosure	Black ABS		
Dimensions	73 x 33 x 12	mm	See drawing for detailed dimensions

2.5 Mechanical Enclosure

(Measured in millimeters)



3 ORDERING INFO

ITEM DESCRIPTION	SKU	LIST PRICE
Matchbox	IPJ-A0404-000	US\$205

4 NOTICES

Copyright © 2016, Impinj, Inc. All rights reserved.

Impinj gives no representation or warranty, express or implied, for the accuracy or reliability of information in this document. Impinj reserves the right to change its products and services and this information at any time without notice.

EXCEPT AS PROVIDED IN IMPINJ'S TERMS AND CONDITIONS OF SALE (OR AS OTHERWISE AGREED IN A VALID WRITTEN INDIVIDUAL AGREEMENT WITH IMPINJ), IMPINJ ASSUMES NO LIABILITY WHATSOEVER AND IMPINJ DISCLAIMS ANY EXPRESS OR IMPLIED WARRANTY RELATED TO THE SALE AND/OR USE OF IMPINJ PRODUCTS, INCLUDING LIABILITY OR WARRANTIES RELATING TO FITNESS FOR A PARTICULAR PURPOSE, MERCHANTABILITY OR INFRINGEMENT.

NO LICENSE, EXPRESS OR IMPLIED, BY ESTOPPEL OR OTHERWISE, TO ANY PATENT, COPYRIGHT, MASKWORK RIGHT, OR OTHER INTELLECTUAL PROPERTY RIGHT IS GRANTED BY THIS DOCUMENT.

Impinj assumes no liability for applications assistance or customer product design. Customers should implement adequate design and operating safeguards to minimize risks.

Impinj products are not designed, warranted or authorized for use in any product or application where a malfunction may reasonably be expected to cause personal injury or death, or property or environmental damage ("hazardous uses"), including but not limited to military applications; life-support systems; aircraft control, navigation or communication; air-traffic management; or in the design, construction, operation, or maintenance of a nuclear facility. Customers must indemnify Impinj against any damages arising out of the use of Impinj products in any hazardous uses.

Trademarks

Impinj, Monza, Speedway, xArray are trademarks or registered trademarks of Impinj, Inc. All other product or service names are trademarks of their respective companies. For a complete list of Impinj Trademarks visit: www.impinj.com/trademarks.

Patents

The products referenced in this document may be covered by one or more U.S. patents. See www.impinj.com/patents for details